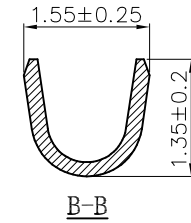
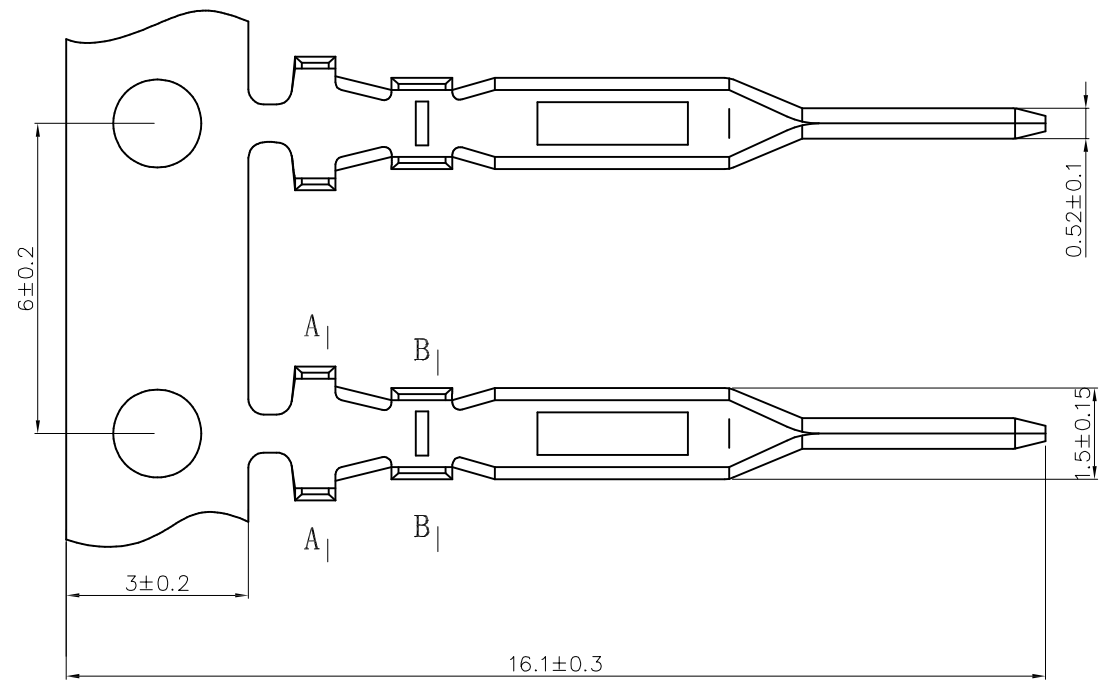
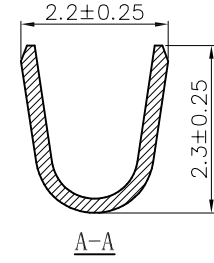
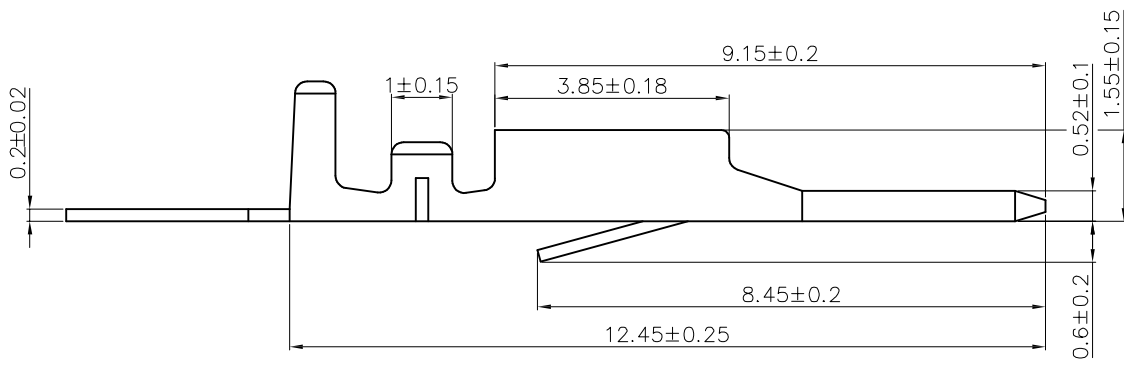


REV	ECN No.	DESCRIPTION	DESIGN	DATE
A0		Release		2017.05.31



Ordering Information & Specification:

Part No	Wire Range	Insulation O.D.	Material	Finish	Qty/Reel
C2003RT-PA	AWG #22~#28	1.0~1.50mm	Phosphor bronze	Sn-plated	
			TITLE: C2003RT		
X.±0.5	X.±5'	USE:	CUSTOMER		
.X±0.3	.X±2'	APPD:	PART NO.: EC-C-02**-WW-A-R -03		
.XX±0.25	.XX±1'	CHKD:	DWG NO.:		
--	--	DR:	SCALE	SHEET	
	UNITS: mm		1 : 1	1 / 1	